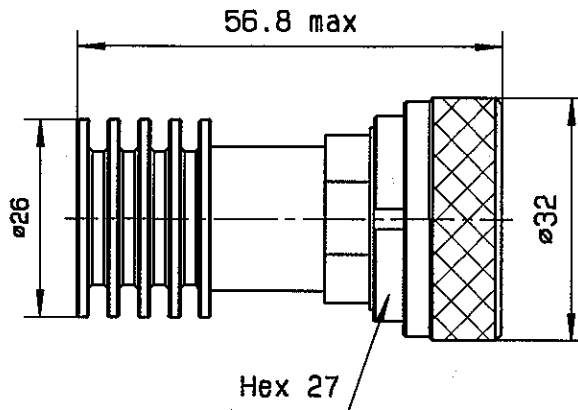




DRAWING



General tolerances: +/- 0.5 mm

R F CHARACTERISTICS

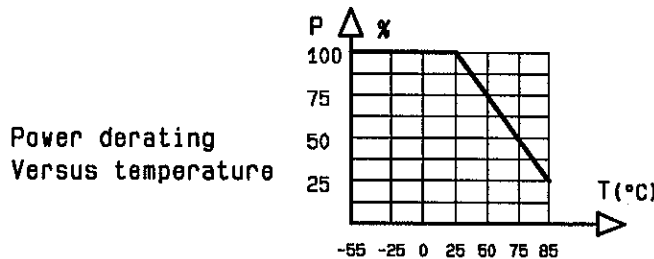
FREQUENCY RANGE	: DC - 4 GHz
IMPEDANCE	: 50 Ohms
DC RESISTANCE	: 50 Ohms ± 5 %
V.S.W.R : DC - 2 GHz	: ≤ 1.10
2 - 4 GHz	: ≤ 1.20
PEAK POWER at 25°C (1µs,1%.)	: 4 kW
AVERAGE POWER at 25°C	: 6 W

MECHANICAL CHARACTERISTICS

CONNECTORS	: 7/16male	per IEC 169-4
WEIGHT	: < 130 g	

ENVIRONMENTAL CHARACTERISTICS

OPERATING TEMPERATURE RANGE (°C)	: -40 , +85
STORAGE TEMPERATURE RANGE (°C)	: -40 , +85



This information is given as an indication. In the continual goal to improve our products, we reserve the right to make any modifications judged necessary

4112-9212

CREATION				
N° :				
PEN/EP:H92016				
Name:MG				
Date:09.sep.99				
APP.:AFC				
ISSUE	REVISIONS	NAME	APPR.	

RADIALL®
101. rue P. Hoffmann -Z.I Ouest-
93116 ROSNY/BOIS Cedex-FRANCE
Phone :33(1)49353535
Fax :33(1)48546363
Tlx RADIA 235220F